

4 L “F” Style Bottle

026 series (63mm neck)

027 series (38mm neck)

Mold Number(s): 172

Oblong (“F” style) bottle made of High Density Polyethylene, ideal for use as a shipping container for a wide range of chemicals and numerous general uses.

PERFORMANCE SPECIFICATIONS

- No objection status for food contact applications from the Health Protection Branch in Canada and compliance for use in food contact applications by the Food and Drug Administration in the United States. Black bottles excluded.
- UN classification for transportation of Group II or III liquid fill dangerous goods when used in conjunction with appropriate cap and carton (see sales specification SS-UN-017). Classification is good for land, sea and air transport. Compatibility of fill product with container is the responsibility of the filler.

DIMENSIONS

Capacity

Rated 4.0 L

Overflow 4.3 L minimum

Weight

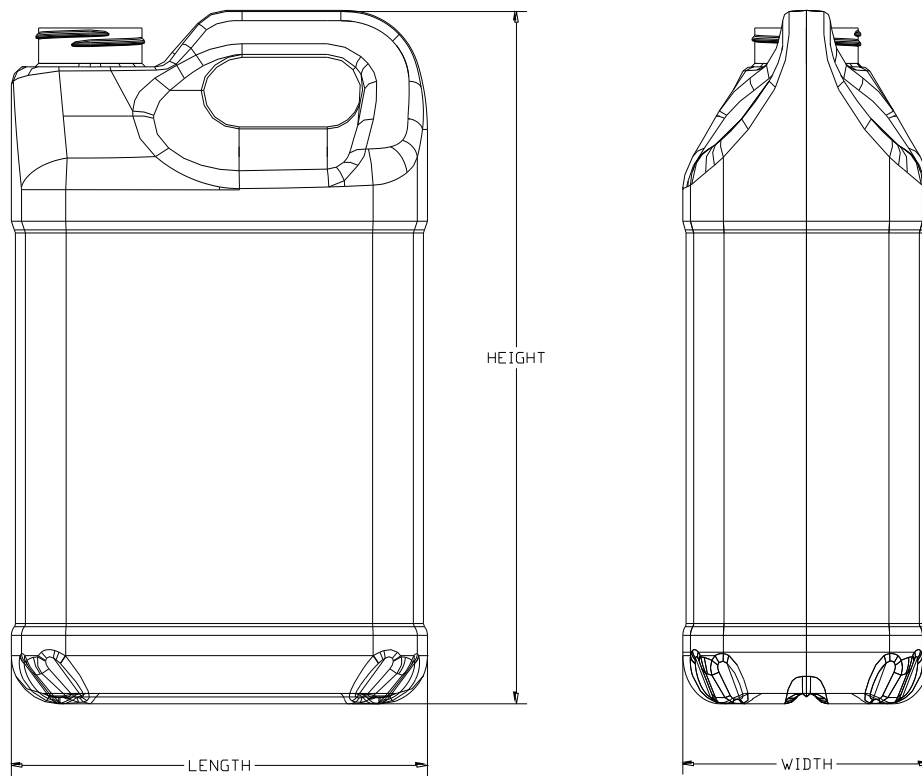
Bottle Only 153.0g ± 5.0g

Dimensions

L x W x H 7.0” x 4.2” x 11.8”

Panel Dimensions

(Sides) L x W x H 6.0” x 3.0” x 6.6”



SPECIAL FEATURES

Neck Finishes	38mm and 63mm available. Neck(s) designed for SP 400 cap, ratchet is available for one-piece child-resistant caps.
Closures	Will accept induction seals.
Barrier Properties	Available with Barrier Pak in-line fluorination to reduce the permeation of aggressive formulas. See our Barrier Pak specification (SS-BP-001) for details.
Decorating	Bottles flamed on the recessed panels to improve label adhesion. Bottles may also be custom sleeved on line or post labelled at an extra charge. Custom colors available.
Packaging	Bottles may be delivered in shipper cartons or pallets. Shipper carton quotes based on carton specifications.

FILLING RECOMMENDATIONS

- Compatibility of the bottle with the fill product is the responsibility of the filler.
- Contents should not exceed 70°C (158°F) at time of fill.
- Filled containers should not be stacked and stored above 50°C (122°F).

PACKAGING AND SHIPPING DATA

	<u>Bulk</u>
Quantity Per Pallet	264 pcs
Package Weight	100 lbs. + 40 lbs. for pallet
Shipping Dimensions (L x W x H)	48" x 43" x 48"
Shipping Volume (Cubic Feet)	59
Truck Load Quantity	15840 pieces

WARRANTY

Reliance Products Ltd. warrants product to meet the above specifications and to be free from defect in workmanship and materials at time of shipment. Liability is limited to the replacement cost of the containers purchased. Reliance Products Ltd. does not test specific product packaging requirements and as such, customers are required to assure packaging meets the legal, environmental and containment needs of the product being packaged.



CONTACT US FOR ALL YOUR PACKAGING NEEDS

sales@relianceproducts.com / 1.800.665.0258

www.relianceproducts.com