

11 L “F” Style Rigid Pak

058 series

Mold Number(s): R 430

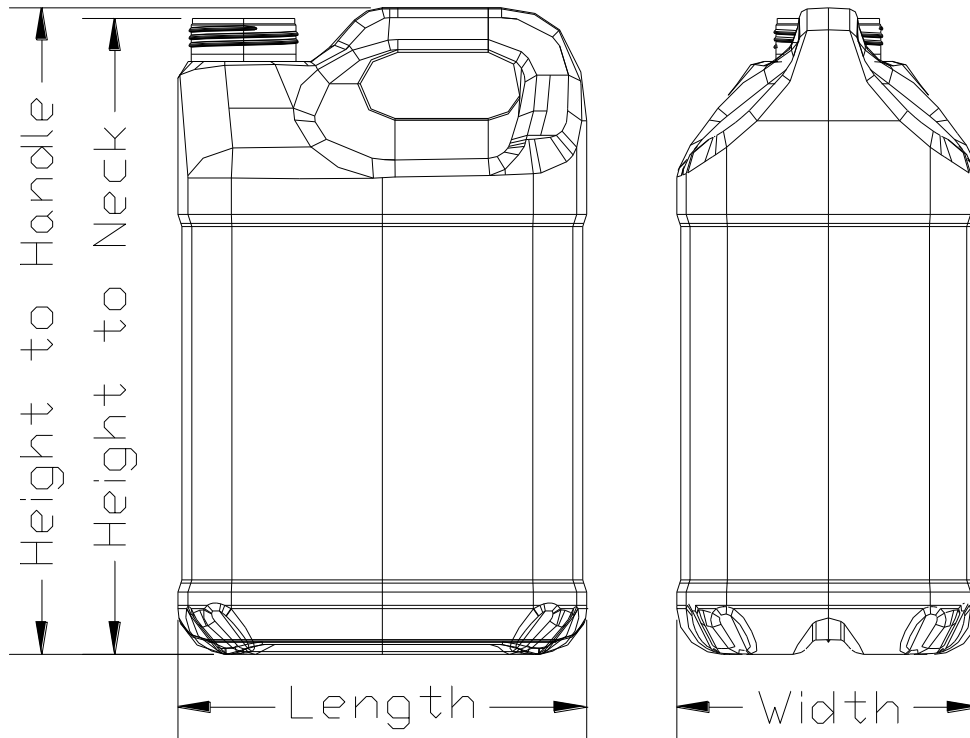
A 110L heavy duty, F Style, oblong bottle made of High Density Polyethylene. The package is ideal for use as a shipping container for a wide range of Chemicals and numerous general uses.

PERFORMANCE SPECIFICATIONS

- No objection status for food contact applications from the Health Protection Branch in Canada and compliance for use in food contact applications by the Food and Drug Administration in the United States. Black bottles excluded.

DIMENSIONS

Capacity	Rated	11 L
	Overflow	11.7 L minimum
Weight	Bottle Only	370 ± 10.0g
Dimensions	L x W x H	9.2" x 6.8" x 14.3"
Panel	(Sides) H x W	8" x 6.5"



Shown with 63mm neck

SPECIAL FEATURES

Neck Finishes	63mm neck designed for Rieke FS-632 and FS-641 Screw Caps
Closures	Will accept induction seals. Vented caps available.
Barrier Properties	Available with Barrier Pak in-line fluorination (<i>standard level 2</i>) to reduce the permeation of aggressive formulas. <i>Higher levels of fluorination (up to level 5) can accomplish if required, ask your sales rep for more information.</i> See our Barrier Pak specification (SS-BP-001) for details.
Decorating	Bottles may be flamed on the recessed panels to improve adhesion. Bottles may also be custom sleeved on line or post labelled at an extra charge.
Packaging	Bottles may be delivered in shipper cartons or palletized. Shipper carton quotes based on carton specifications.

FILLING RECOMMENDATIONS

- Compatibility of the bottle with the fill product is the responsibility of the filler.
- Contents should not exceed 70°C (158°F) at time of fill.
- Filled containers should not be stacked and stored above 50°C (122°F).

PACKAGING AND SHIPPING DATA

	<u>Bulk – 105 Pak</u>	<u>Bulk – 140 Pak</u>
Quantity Per Pallet	105 pieces	140 pieces
Package Weight	94 lbs. + 40 lbs. for pallet	125 lbs. + 40 lbs. for pallet
Shipping Dimensions (L x W x H)	48” x 46” x 46”	48” x 46” x 62”
Shipping Volume (Cubic Feet)	59	79
Truckload Quantity	5460 pieces as 105	6370 as 105 / 140 combo

WARRANTY

Reliance Products Ltd. warrants product to meet the above specifications and to be free from defect in workmanship and materials at time of shipment. Liability is limited to the replacement cost of the containers purchased. Reliance Products Ltd. does not test specific product packaging requirements and as such, customers are required to assure packaging meets the legal, environmental and containment needs of the product being packaged.



CONTACT US FOR ALL YOUR PACKAGING NEEDS

sales@relianceproducts.com / 1.800.665.0258

www.relianceproducts.com