

## 20L RECTANGULAR TIGHTHEAD UN REGISTERED JERRICAN Y1.8 & Y1.9

076 Series

Mould Number(s): R-975-C

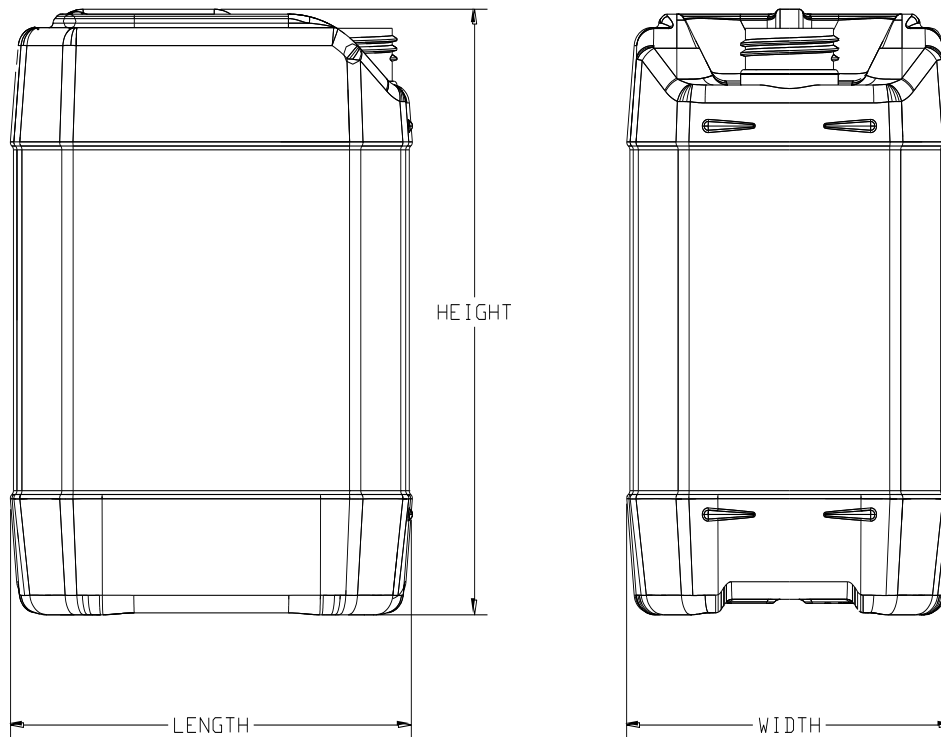
A 20 L heavy duty, oblong style tighthead made of High Density Polyethylene, ideal for use as shipping container for a wide range of chemicals and numerous general uses.

### PERFORMANCE SPECIFICATIONS

- No objection status for food contact applications from the Health Protection Branch in Canada and compliance for use in food contact applications by the Food and Drug Administration in the United States (Black bottles excluded).
- U.N. classification for transportation of Group II or III liquids when used in conjunction with the specified cap or closure. See Sales Specification SS-UNTH-001 (Y1.9) & SS-UNTH-002 (Y1.8) for more information. It is the responsibility of the filler to ensure that these details are adhered to. Classification is good for land, sea and air transport.

### DIMENSIONS

Capacity	Rated	20.0 L	(5.3 gal)
	Overflow	22.5 L	(5.9 gal)
Weight	Bottle Only	1200 ± 25 g	(2.65 ± 0.06 lb)
Dimensions	L x W x H	29.2 x 23.9 x 41.4 cm	(11.5" x 9.4" x 16.3")
Panel Dimensions	(Sides) W x H	20.3 x 24.1 cm	(8.0" x 9.5")



## SPECIAL FEATURES

Neck Finishes	Available neck designs 70mm and 61mm.
Closures	Neck is designed to accommodate 70mm Reliance Industrial closure (Y1.9), and 61 mm KTH or Bericap closures (Y1.8). See SS-UNTH-001 & SS-UNTH-002 for details.
Barrier Properties	Available with Barrier Pak in-line fluorination (standard level 3) to reduce the permeation of aggressive formulas. Higher levels of fluorination (up to level 5) can accomplish if required, ask your Sales Representative for more information. See our Barrier Pak specification (SS-BP-001) for details.
Decorating	Bottles flamed on the recessed panels to improve adhesion. Bottles may also be custom sleeved in-line or post labelled at an extra charge.
Packaging	Bottles may be delivered in shipper cartons or pallets. Shipper carton quotes based on carton specifications. Packaging includes top and bottom corrugate trays, secured with strapping and stretch wrap.
Venting	Available with or without an 18mm (0.71") vent at rear of container, capped or uncapped, to aid in pouring by the end user. The U.N. classification is no longer valid once the vent has been punctured. Under no circumstances should the container be transported if the vent has been punctured.
Stacking	Containers nest together to improve stability during storage. Containers can be arranged 16 units per layer (4 x 4) on a standard 40"x48" pallet. Recommended stack height for filled containers using products with maximum SG is 3 layers on 2 pallets, for a total of 6 layers high. Pallet loads must be strapped and/or stretch wrapped to secure the load. The use of double-faced pallets is recommended, with stacks evenly spaced that no tighththead overhangs the edge of the pallet.
Handle	A comfortable handle is moulded into the top of the container to aid in handling and for ease of pouring.

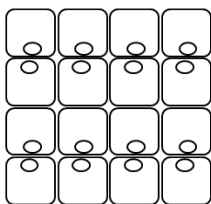
## FILLING RECOMMENDATIONS

- Compatibility of the bottle with the fill product is the responsibility of the filler.
- Contents should not exceed 70°C (158°F) at time of fill.
- Filled containers should not be stacked and stored above 50°C (122°F)

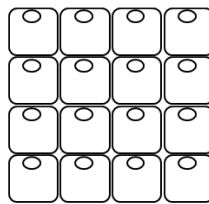
Please contact us directly if you have any questions regarding the safe use and application of this package.

## PACKAGING AND SHIPPING DATA

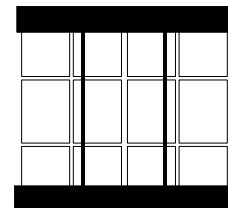
	<b>Bulk</b>	
Quantity per Pallet	48 units	
Package Weight	59.4 + 18.1 kg per pallet	(131.0 + 40.0 lb per pallet)
Shipping Dimensions (L x W x H)	124.2 x 95.5 x 121.9 cm	(48.9" x 37.6" x 48.0")
Shipping Volume	1.45 m <sup>3</sup>	(51.1 ft <sup>3</sup> )
Truckload Quantity	2688 units (56 skids)	



Top View of Pallet, Type 1



Top View of Pallet, Type 2



Side View of Pallet



sales@relianceproducts.com  
1.800.665.0258  
www.relianceproducts.com

**WARRANTY**

Reliance Products Ltd. warrants product to meet the above specifications and to be free from defect in workmanship and materials at time of shipment. Liability is limited to the replacement cost of the containers purchased. Reliance Products Ltd. does not test specific product packaging requirements and as such, customers are required to assure packaging meets the legal, environmental and containment needs of the product being packaged.

**PRODUCT RANGE**

Reliance Products Ltd. has many decades of experience manufacturing a wide range of both injection and blow molded plastic shipping containers, including:

Bottles 3L to 23L	Tighthead Containers 10L to 30L	Pails 4L to 23L
Drums 30L to 135L	Collapsible Containers 10L to 25L	



CONTACT US FOR ALL YOUR PACKAGING NEEDS