

8.5 GAL RECTANGULAR KEG UN REGISTERED PRODUCT Y1.4

664 Series

Mould Number(s): RC-64

A 32 L (8.5 Gal) heavy duty, 3-piece keg made of High Density Polyethylene, ideal for use as shipping container for a wide range of chemicals and numerous general uses.

PERFORMANCE SPECIFICATIONS

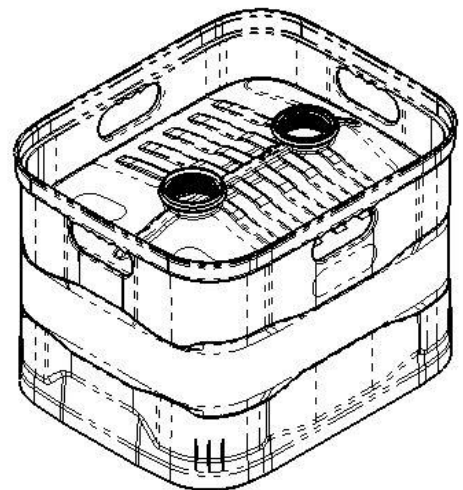
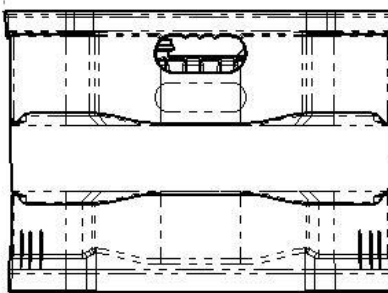
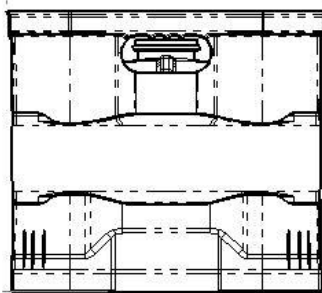
- No objection status for food contact applications from the Health Protection Branch in Canada and compliance for use in food contact applications by the Food and Drug Administration in the United States.
- Compliant with EPA and PMRA regulations for storage and transportation of pesticides in containers of capacity of 8.5 gallons.
- U.N. classification for transportation of Group II or III liquids when used in conjunction with the specified cap or closure. It is the responsibility of the filler to ensure that these details are adhered to. The Container Marking shall appear as shown below, where yy indicates the year of manufacture. Fill liquid must have a specific gravity that does not exceed 1.4.

1H1W / Y1.4 / 100 / yy / CAN / REL 2-3348

- Classification is good for land, sea, and air transport.

DIMENSIONS

Capacity	Rated	32.2 L	(8.5 gal)
	Overflow	35.2 L min	(9.3 gal min)
Weight	Keg with rings	4.7 ± 0.2 kg	(10.4 ± 0.4 lb)
Dimensions	L x W x H	48.5 x 40.9 x 35.6 cm	(19.1" x 16.1" x 14.0")



SPECIAL FEATURES

Neck Finishes	Neck design follows Rieke 2" buttress finish. Available with 2 openings.
Closures	Neck design accommodates: <ul style="list-style-type: none">• 2" Rieke buttress plug PPA-57B5• FarmChem Drummixer 8.5R• FarmChem Microvalve and Dip Tube MV-S15TBV-R• Micromatic Valve PViton-ESCR Flextube RPV
Decorating	Container flamed on the recessed panels to improve adhesion of labels and inks. Container may also be custom sleeved in-line or post labelled at an extra charge.
Colour	The colour of the top and bottom sections can be customized as per request.
Stacking	Containers nest together to improve stability during storage. Containers can be arranged 6 units per layer (2 x 3) on a standard 40"x48" pallet. Recommended stack height for filled containers using products with SG of 1.4 is 3 layers on 2 pallets, for a total of 6 layers high. Pallet loads must be strapped and/or stretch wrapped to secure the load. The use of double-faced pallets is recommended, with stacks evenly spaced that no container overhangs the edge of the pallet.
Handle	Four evenly spaced handles located at the top ring for handling.

FILLING RECOMMENDATIONS

- Compatibility of the bottle with the fill product is the responsibility of the filler.
- Contents should not exceed 70°C (158°F) at time of fill.
- Filled containers should not be stacked and stored above 50°C (122°F)

Please contact us directly if you have any questions regarding the safe use and application of this package.

PACKAGING AND SHIPPING DATA

	3 Layer Configuration	4 Layer Configuration
Quantity per Pallet	18 units	24 units
Package Weight	84.6 + 18.1 kg per pallet (186.5 + 40.0 lb per pallet)	112.8 + 18.1 kg per pallet (248.7 + 40.0 lb per pallet)
Shipping Dimensions (L x W x H)	121.9 x 101.6 x 112.5 cm (48.0" x 40.0" x 44.3")	121.9 x 101.6 x 148.0 cm (48.0" x 40.0" x 58.3")
Truckload Quantity	1092 units	26 floor spots with combined skids 3-layer on top of 4-layer.

WARRANTY

Reliance Products Ltd. warrants product to meet the above specifications and to be free from defect in workmanship and materials at time of shipment. Liability is limited to the replacement cost of the containers purchased. Reliance Products Ltd. does not test specific product packaging requirements and as such, customers are required to assure packaging meets the legal, environmental and containment needs of the product being packaged.

PRODUCT RANGE

Reliance Products Ltd. has many decades of experience manufacturing a wide range of both injection and blow molded plastic shipping containers, including:

Bottles 3L to 23L	Tighthead Containers 10L to 30L	Pails 4L to 23L
Drums 30L to 135L	Collapsible Containers 10L to 25L	

CONTACT US FOR ALL YOUR PACKAGING NEEDS